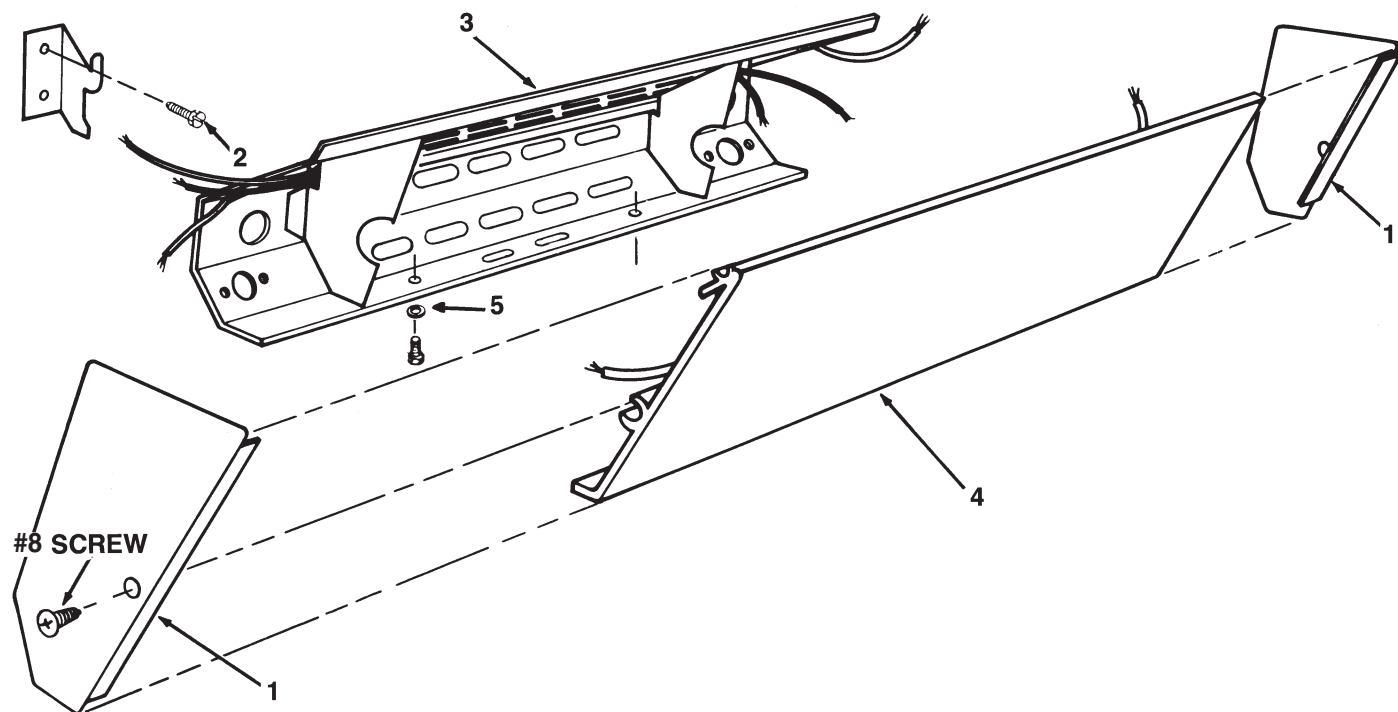


## Repair Parts



### PART DESCRIPTION

### PART NUMBER

### REFERENCE NUMBER

34" Back Shield	334+ Voltage	3
47" Back Shield	347+ Voltage	3
59" Back Shield	359 - Voltage	3
71" Back Shield	371 - Voltage	3
83" Back Shield	383 - Voltage	3
94" Back Shield	394 - Voltage	3
106" Back Shield	3106 - Voltage	3
118" Back Shield	3118 - Voltage - Watt	3
132" Back Shield	3132 - Voltage - Watt	3
34" Front Panel	434 - Voltage - Color	4
47" Front Panel	447 - Voltage - Color	4
59" Front Panel	459 - Voltage - Color	4
71" Front Panel	471 - Voltage - Color	4
83" Front Panel	483 - Voltage - Color	4
94" Front Panel	494 - Voltage - Color	4
106" Front Panel	4106 - Voltage - Color	4
118" Front Panel	4118 - Voltage - Watt - Color	4
132" Front Panel	4132 - Voltage - Watt - Color	4
Bracket Kit	BRKT-Kit	2
End Cap Kit	EC-Kit	1
Nylon Insert Clip	Insert	-
Screw Kit	SCRW-Kit	5
12 Oz. Aerosol Off-White	OW-PT	-

4

# RADIANT SYSTEMS, INC.

1006 W. HWY. 20, VALENTINE, NE 69201  
www.radiantsystemsinc.com  
1-800-314-9303

## INSTALLATION INSTRUCTIONS & PARTS RENEWAL IDENTIFICATION

RADIANT SYSTEMS, INC.  
C-SERIES COMFORT COVE  
JUNE 1, 2008

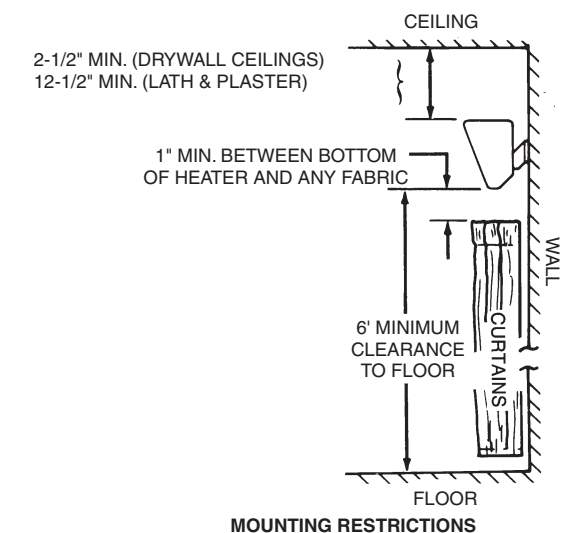


Catalog Number	Voltage	Wattage	Amperes	Length
C-4512	120	450	3.8	34"
C-4508	208	450	2.2	34"
C-4524	240	450	1.9	34"
C-4527	277	450	1.6	34"
C-6012	120	600	5.0	47"
C-6008	208	600	2.9	47"
C-6024	240	600	2.5	47"
C-6027	277	600	2.2	47"
C-7512	120	750	6.2	59"
C-7508	208	750	3.6	59"
C-7524	240	750	3.1	59"
C-7527	277	750	2.7	59"
C-9012	120	900	7.6	71"
C-9008	208	900	4.3	71"
C-9024	240	900	3.8	71"

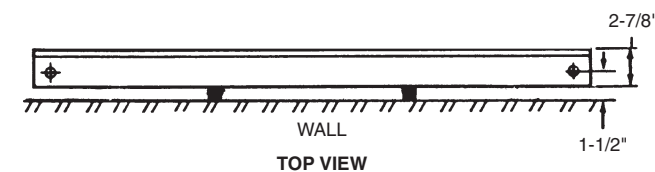
Catalog Number	Voltage	Wattage	Amperes	Length
C-9027	277	900	3.2	71"
C-10512	120	1050	8.8	83"
C-10508	208	1050	5.0	83"
C-10524	240	1050	4.4	83"
C-10527	277	1050	3.8	83"
C-12012	120	1200	10.0	94"
C-12008	208	1200	5.8	94"
C-12024	240	1200	5.0	94"
C-12027	277	1200	4.3	94"
C-15008	208	1500	7.2	106 1/4"
C-15024	240	1500	6.3	106 1/4"
C-15027	277	1500	5.4	106 1/4"
C-18008	208	1800	8.6	118 1/4"
C-18024	240	1800	7.5	118 1/4"
C-18027	277	1800	6.5	118 1/4"
C-20008	208	2000	9.6	132"
C-20024	240	2000	8.3	132"
C-20027	277	2000	7.2	132"

### CAUTION

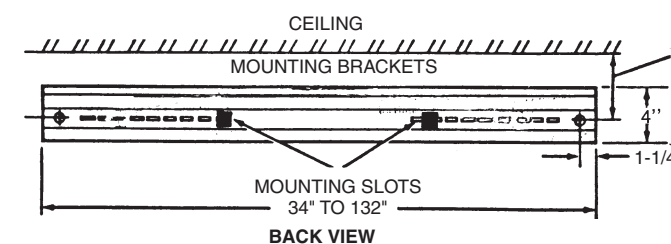
- DO NOT RECESS COVE HEATERS
- SHUT OFF ELECTRIC CURRENT TO CIRCUIT ON WHICH YOU ARE WORKING
- MAKE CERTAIN ALL WIRING IS IN ACCORDANCE WITH LOCAL CODES AND UNITS ARE GROUNDED
- CHECK VOLTAGE RATING OF HEATER TO MAKE CERTAIN IT IS SAME AS SUPPLY VOLTAGE
- NEVER INSTALL HEATER WITHOUT SUPPLIED WALL BRACKETS
- MAINTAIN ONE INCH CLEARANCE BELOW HEATER AND ANY FABRIC
- HEATER SHOULD NOT BE BLOCKED IN ANY MANNER
- DO NOT PAINT HEATER IN ANY MANNER**
- DO NOT MOUNT CLOSER THAN 6 1/2" FROM FALSE CEILINGS, VINYL CEILINGS AND PLASTIC MOLDINGS
- DO NOT USE PLASTIC CONDUITS FOR DIRECT CONNECTION TO COMFORT COVE
- ALLOW 1" CLEARANCE BETWEEN HEATERS - DO NOT "BUTT" END TO END
- ALLOW 12 1/2" CLEARANCE FROM TOP OF HEATER FOR LATH & PLASTER CEILINGS, AND PLASTIC CEILINGS
- WOOD CEILINGS AND WALLS REQUIRE THE SAME CLEARANCE AS STANDARD DRYWALL CONSTRUCTION.



MOUNTING RESTRICTIONS



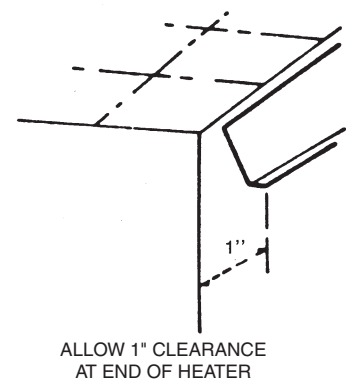
TOP VIEW



BACK VIEW

4-3/4" (DRYWALL CEILINGS)  
6-3/4" (LAY IN OR VINYL  
CEILINGS OR PLASTIC  
MOLDING)  
14-3/4" (LATH & PLASTER)

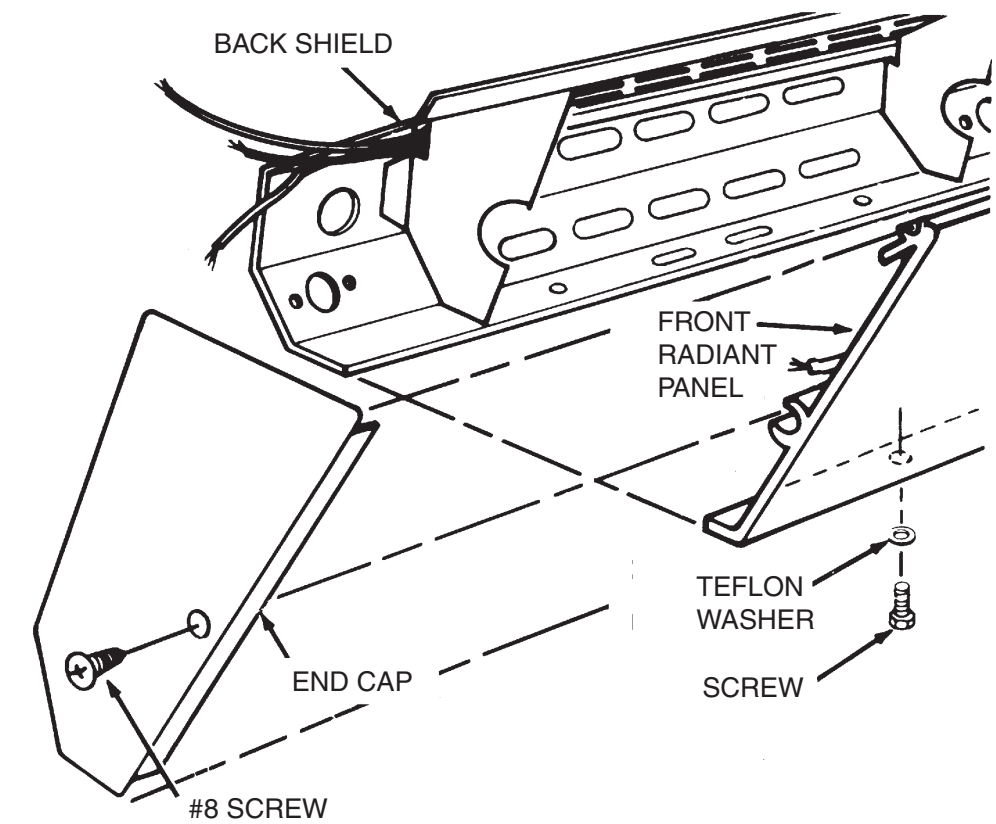
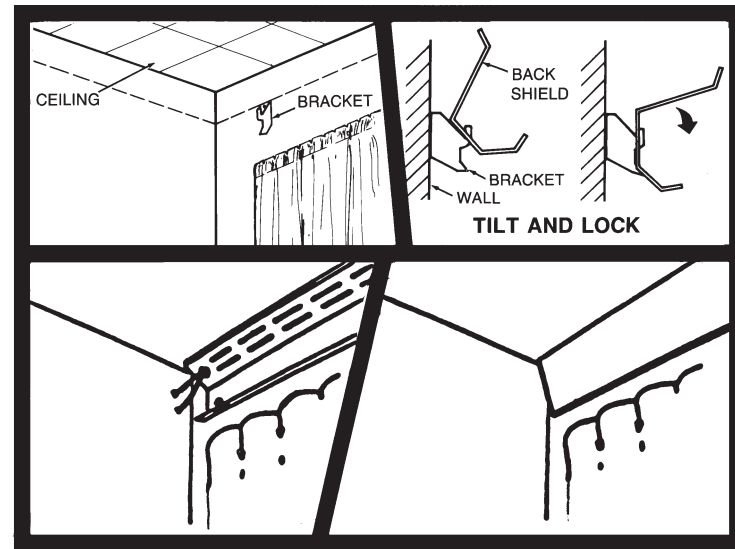
1



ALLOW 1" CLEARANCE  
AT END OF HEATER

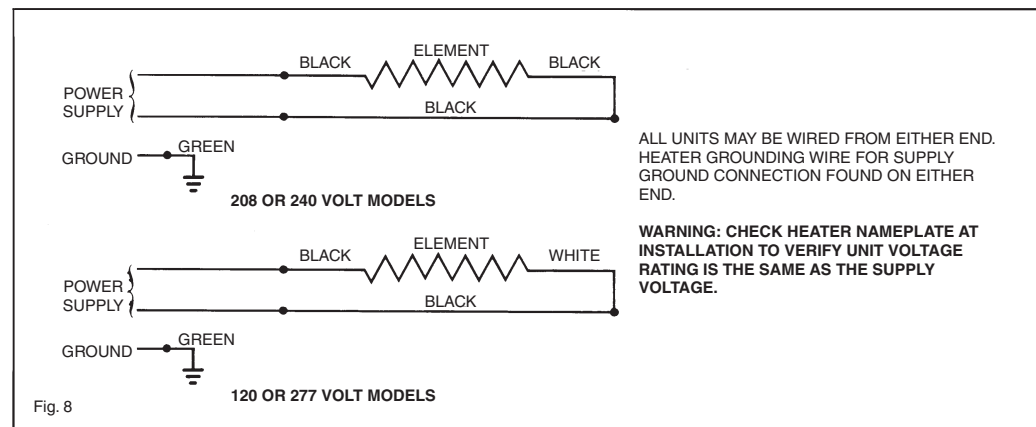
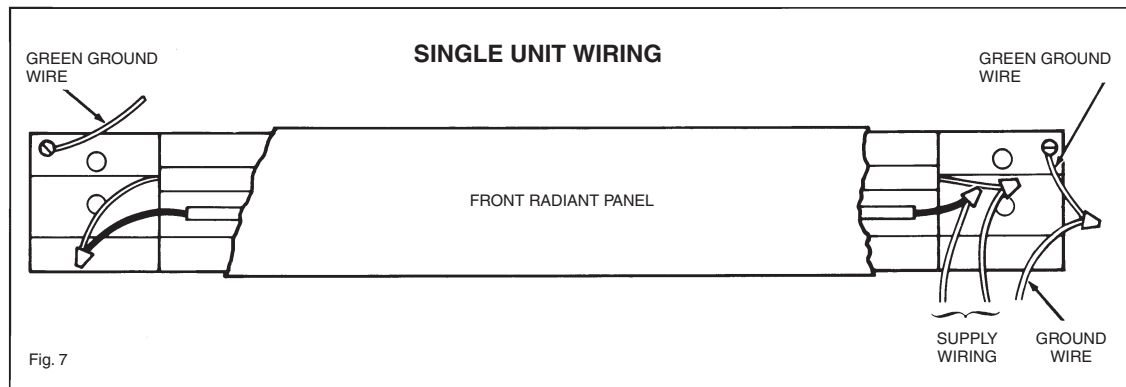
**MOUNTING UNITS TO WALL**

- 1) LOCATE A WALL STUD FOR EACH BRACKET SUCH THAT WHEN THE HEATER IS ATTACHED TO BRACKETS THEY ARE APPROXIMATELY 1/4 OF THE HEATER LENGTH FROM EACH END.
- 2) ATTACH BRACKETS TO WALL STUDS WITH WOOD SCREWS PROVIDED, USE TEMPLATE PROVIDED TO MARK SCREW LOCATIONS DEPENDING UPON TYPE OF CEILING.
- 3) ATTACH BACK SHIELD TO BRACKETS BY TILTING BACK SHIELD BACK AND ALLOWING BACK SHIELD SLOT TO FALL ONTO BRACKET HOOK THEN SIMPLY BRING BACK SHIELD FORWARD LOCKING INTO PLACE.
- 4) HANG FRONT PANEL ON BACK SHIELD AND COMPLETE WIRING AS DIRECTED.
- 5) SECURE FRONT PANEL TO BACK SHIELD WITH PAINTED SCREWS AND TEFLON WASHERS PROVIDED.
- 6) COMPLETE WIRING AS DIRECTED BELOW.
- 7) ATTACH END CAPS.
- 8) LOOSEN THE TWO OUTERMOST PAINTED SCREWS HOLDING THE PAINTED FRONT PANEL IN PLACE ABOUT ONE REVOLUTION (THIS IS TO ALLOW FOR EXPANSION).
- 9) DO NOT "BUTT" HEATERS END TO END.
- 10) WHEN THE COMFORT COVE IS FIRST ENERGIZED, AN INITIAL BREAK-IN FRAGRANCE MAY BE NOTICED — THIS IS NORMAL.
- 11) THANK YOU FOR CHOOSING COMFORT-COVE.



WITH HEATERS IN TANDEM, ALLOW 1" CLEARANCE PER HEATER AT OUTSIDE END OF LAST HEATER IN HEATER ROW AND IN BETWEEN.

**CAUTION: TOTAL LOAD MUST NOT EXCEED 16 AMPS FOR INTERCONNECTED HEATERS.**



**INDIVIDUAL HEATER WIRING INSTRUCTIONS**

- 1) REMOVE THE APPROPRIATE ELECTRICAL KNOCKOUTS FROM THE BACK SHIELD.
- 2) ROUGH IN ALL SUPPLY WIRING, THEN ATTACH TO HEATER THROUGH KNOCKOUTS USING PROPER CONNECTORS.
- 3) CONNECT SUPPLY WIRING TO HEATER AS SHOWN IN FIGURE 7 OR AS SHOWN IN WIRING DIAGRAMS PROVIDED WITH ACCESSORY UNITS.

**10 YEAR LIMITED WARRANTY**

Radiant Systems, Inc., will replace any heating element found to be defective for a period of ten years from date of purchase. All other components are warranted for a period of one year from date of purchase. Warranty does not apply to damage from accidents, misuse, or alteration, nor where connected to voltage 5% above the nameplate voltage, nor to equipment improperly installed or wired or maintained in violation of the instruction manual. This warranty is only valid in the fifty states of the United States. All warranty items FOB: Radiant Systems, Inc. Radiant Systems, Inc., will not be responsible for any incurred labor charges.